



STRATALIGN

INDUSTRIAL LIFTING & HOISTING SOLUTIONS

Adjustable Pallet Hook

CHA-21-107

This adjustable pallet hook is a versatile unit which allows pallets to be picked-up and moved using an overhead truck mounted crane. These units have 6 lifting positions for handling varying weight/size pallets.

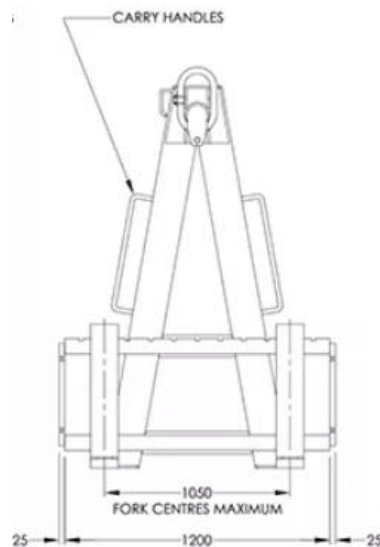
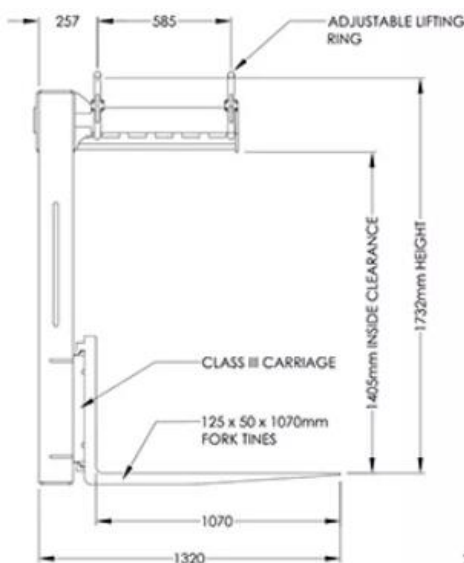
Load balancing is carried out by positioning the lifting ring to suit the centre of gravity of the load. Comes in a zinc finish with an instruction manual and certification included.

Specs

- > Working Load Limit (WLL) 4,500kg
- > Load centre 600mm
- > Unit weight 456kg
- > Fork width adjustments (centres) 210, 420, 630, 840, 1050mm
- > Hot dip galvanized finish

Features

- > Manually adjust the load centre
- > The forks are adjustable to suit the pallet
- > 6 Lifting positions
- > Handles to direct the load



6 Harbour Ridge Drive, Wiri PO Box 97410, Manukau City 2241

Tel: 09 263 7725 Fax: 09 262 0970 Email: sales@stratalign.co.nz

OVERHEAD GANTRY CRANES, JIB CRANES, PORTABLE GANTRY CRANES, VACUUM LIFTERS, HOISTS, WINCHES, MAGNETIC CLAMPS, FORKLIFT & CRANE ATTACHMENTS